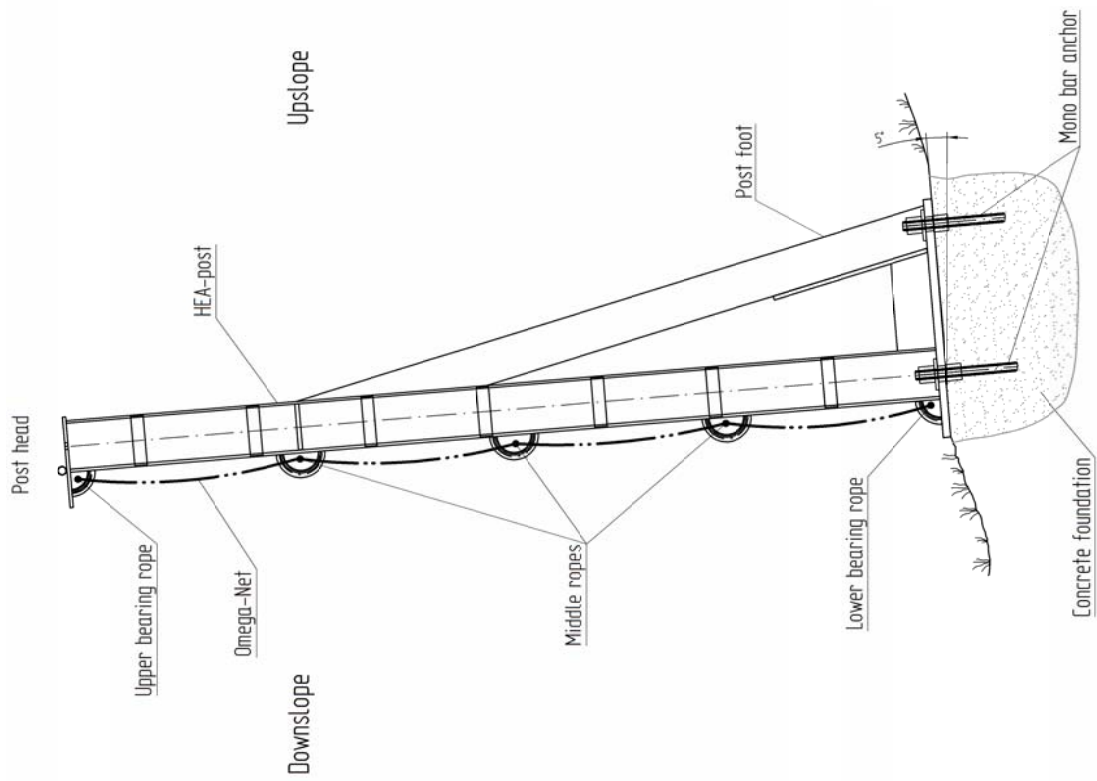


Rockfall protection system

TSV-2000-oA

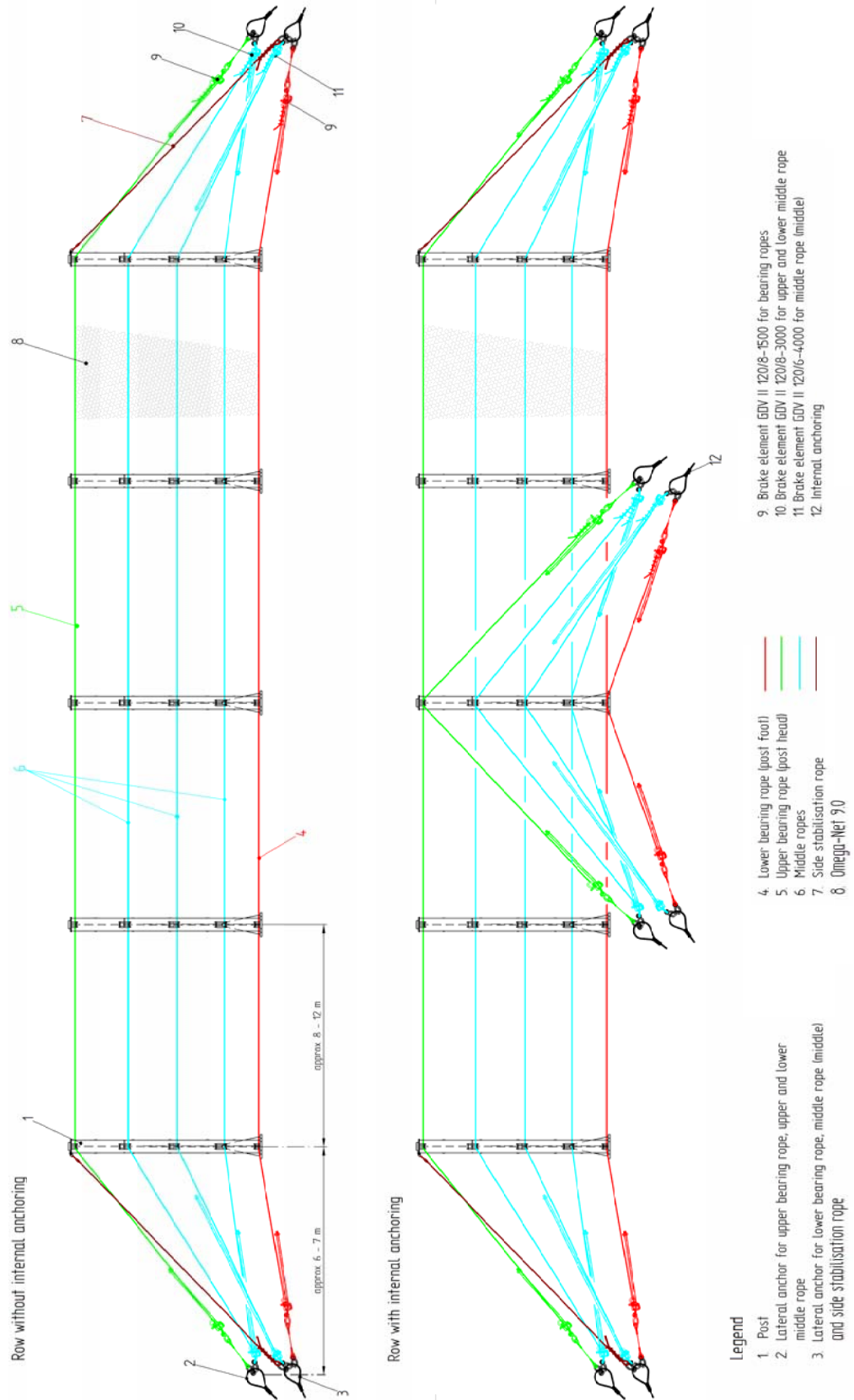


Rockfall protection system TSV-2000-oA - Lateral View



- Tested with 2270 kJ
- Fixed base plate
- Without upslope retaining ropes
- Bearing and middle ropes
- Brake elements on bearing and middle ropes
- Omega-Net

Rockfall protection system TSV-2000-oA - Frontal View





Austrian Institute of Construction Engineering
Schenkenstrasse 4 | T+43 1 533 65 50
1010 Vienna | Austria | F+43 1 533 64 23
www.oib.or.at | mail@oib.or.at



European Technical Assessment

ETA-14/0358
of 07/11/2014

General part

Technical Assessment Body issuing the European Technical Assessment

Österreichisches Institut für Bautechnik (OIB)

Trade name of the construction product

TSV-2000-oA

Product family to which the construction product belongs

Falling rock protection kit

Manufacturer

Trumer Schutzbauten GmbH
Maria-Bühelstraße 7
5110 Oberndorf
Austria

Manufacturing plant

Trumer Schutzbauten GmbH
Handelsstraße 6
5162 Obertrum
Austria

This European Technical Assessment contains

36 pages including Annexes A.1 to A.16 which form an integral part of this assessment

This European Technical Assessment is issued in accordance with Regulation (EU) No 305/2011, on the basis of

Guideline for European technical approval (ETAG) No. 027 Falling rock protection kits, edition February 2008, amended April 2013, used as European Assessment Document (EAD)

This is an English translation, the original version is in German.

Certificate of constancy of performance

1379-CPR-022/14

In compliance with regulation 305/2011/EU of the European Parliament and of the Council of 9th March 2011 (the Construction Products Regulation or CPR), this certificate applies to the construction product

FALLING ROCK PROTECTION KITS

produced by

Trumer Schutzbauten GmbH

Maria-Bühel-Straße 7, 5110 Oberndorf, Austria

and produced in the manufacturing plant

Werk Obertrum

Handelsstraße 6, 5162 Obertrum am See, Austria

This certificate attests that all provisions concerning the assessment and verification of constancy of performance and the performances described in

ETAG 027:2012/Amd:2013

under system 1 are applied and that

the products fulfil all the prescribed requirements set out above.

This certificate was first issued on 2014-12-12 and will remain valid as long as the ETAG and the single ETAs remain valid and the production conditions in the plant or the factory production control itself are not modified significantly, except this certificate is suspended or withdrawn by TVFA-ZERT.

The current validity of the certificate can be taken from the attached product register which is an integral part of the certificate.



The head of the certification body:



Dipl.-Ing. Dr. D. Schulter

Graz, 2017-07-26

The TVFA is by decision of the Federal Ministry of Science, Research and Economy based on AkkG 2012 accredited as certification body according to EN ISO/IEC 17065.

The actual accreditation volume can be found on www.tvfa.tugraz.at.

According decision of the University council the TVFA is associated to the Institute of Technology and Testing of Building Materials. Legal entity is the Graz University of technology. Head: Univ.-Prof. Dipl.-Wirtsch.-Ing. Dr.-Ing. M. Krüger

Address: Inffeldgasse 24, A-8010 Graz; Tel.: (0316) 873-7160; Fax: (0316) 873-7650; Mail: zertifizierung@tvfa.tugraz.at; Web: TVFA-ZERT.tugraz.at
FB-AA QM-Z002-5/2-7/17



This is an English translation, the original version is in German.

Annex to the
Certificate of constancy of performance of
FALLING ROCK PROTECTION KITS
1379-CPR-022/14

This certificate covers the constancy of performance of the following products of the producer

Trumer Schutzbauten GmbH

Maria-Bühel-Straße 7, 5110 Oberndorf, Austria

produced in the manufacturing plant

Werk Obertrum

Handelsstraße 6, 5162 Obertrum am See, Austria

Trade mark of the kit	European Technical Assessment (ETA)		Declaration of performance *)
	Number	Date	
TS-5000-ZD	ETA-10/0202	23.10.2015	2015-2, 02.11.2015
TSC-3000-ZD	ETA-11/0227	24.10.2016	2016-1, 02.11.2016
TSC-2000-ZD	ETA-11/0228	27.10.2016	2016-2, 02.11.2016
TSC-1500-ZD	ETA-11-0225	27.10.2016	2016-3, 02.11.2016
TSC-1000-ZD	ETA-11/0226	24.10.2016	2016-4, 02.11.2016
TSC-500-ZD h4	ETA-12/0116	09.05.2017	2017-1, 09.06.2017
TSC-500-ZD	ETA-12/0117	09.05.2017	2017-2, 09.06.2017
TSC-250-ZD	ETA-12/0204	02.10.2017	2017-3, 11.10.2017
TSC-100-ZD	ETA-12/0156	02.10.2017	2017-4, 11.10.2017
TSV-1000-oA	ETA-13/0690	29.06.2013	2014-13, 25.11.2014
TSV-500-oA	ETA-14/0272	07.11.2014	2014-2, 14.11.2014
TSV-2000-ZD h4	ETA-14/0357	07.11.2014	2014-1, 14.11.2014
TSV-2000-oA	ETA-14/0358	07.11.2014	2014-3, 14.11.2014
TSC-100-oA	ETA-14/0472	18.05.2015	2015-1, 01.06.2015

*) The declared product characteristics can be taken from the declaration of performance.

Graz, 2017-11-17

The certifier:


 Ing. M. Payer



The head of the certification body:



Dipl.-Ing. Dr. D. Schuller

The TVFA is by decision of the Federal Ministry of Science, Research and Economy based on AkkG 2012 accredited as certification body according to EN ISO/IEC 17065.

The actual accreditation volume can be found on www.tvfa.tugraz.at.

Accordinging decision of the University council the TVFA is associated to the Institute of Technology and Testing of Building Materials. Legal entity is the Graz University of technology. Head: Univ.-Prof. Dipl.-Wirtsch.-Ing. Dr.-Ing. M. Krüger

Address: Inffeldgasse 24, A-8010 Graz; Tel.: (0316) 873-7160; Fax: (0316) 873-7650; Mail: zertifizierung@tvfa.tugraz.at; Web: TVFA-ZERT.tugraz.at
 FB-AA QM-Z002-6/8-7/17





DECLARATION OF PERFORMANCE

DoP-No.: 2014-3

Identification code of product-type:	Falling rock protection kit TSV-2000-oA
Intended use of product:	Falling rock protection kit with a Maximum Energy Level (MEL) of 2,000 kJ
Manufacturer:	Trumer Schutzbauten GmbH Handelsstrasse 6 5162 Obertrum, Austria
System of assessment and verification of the constancy of performance:	System 1

European Assessment Document:	ETAG 027, April 2013
Intended use of product:	ETA-14/0358, 07.11.2014
Technical Assessment Body:	Austrian Institute of Construction Engineering (OIB) Schenkenstrasse 4, 1010 Vienna, Austria
Notified Body:	TVFA TU Graz, TVFA-ZERT Inffeldgasse 24, 8010 Graz, Austria Id. No.: 1379
Certificate of constancy of performance:	EC-Certificate of Conformity 1379-CPR-022/14

Declared performance:

Essential characteristics	Performance			Harmonised technical specification
Energy level classification	5			ETAG 027
Energy absorption	MEL: 2,270 kJ	SEL1: 799 kJ	SEL2: 810 kJ	
Nominal height	MEL: 4.05 m	SEL1: 4.05 m		
Residual height	MEL: 2.21 m Category A	SEL1: 3.01 m		
Deformation characteristic/ Elongation	MEL: 6.30 m	SEL1: 4.38 m	SEL2: 4.97 m	
Dangerous substances	None			European Council Directive 67/548/EEC, Regulation (EC) No 1272/2008



Trumer Schutzbauten GmbH

www.trumer.cc

Email: office@trumer.cc

Sales & Technical Support:
Weissenbach 106
A-5431 Kuchl
Tel: +43 (0) 6244-20325
Fax: +43 (0) 6244-20325-11

Invoice Address:
Maria Buehel-Strasse 7
A-5110 Oberndorf near Salzburg

Legal Venue: Salzburg FN 39465m

Production & Purchase:
Handelsstrasse 6
A-5162 Obertrum
Tel: +43 (0) 6219-20233
Fax: +43 (0) 6219-20233-11

The performance of the product identified above is in conformity with the set of declared performance. This declaration of performance is issued, in accordance with Regulation (EU) No 305/2011, under the sole responsibility of the manufacturer identified above.

Signed for and on behalf of the manufacturer by:

A handwritten signature in blue ink, appearing to read 'Oichtner-Franz', written in a cursive style.

Franz Oichtner
General Manager

Obertrum, 25.11.2014

